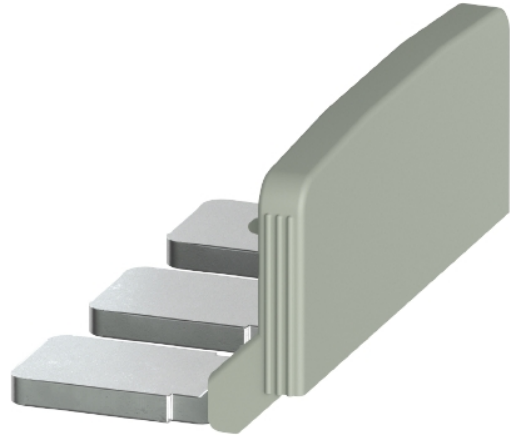


## Data sheet

Commercial Art.No.: 0D.S51.3327.0

insert bridge IVB WTN 150-3 IN

insert bridge IVB WTN 150-3 IN modular spacing 31 mm, insulated yes, number of poles 3, color grey, height 39.6 mm, mounting method screwable, inflammability class of insulation material acc. with UL94 V0



Commercial Art.No.	0D.S51.3327.0
EAN	4049088724053
Order Unit	50

## Technical data

### general

color	grey
inflammability class of insulation material acc. with UL94	V0
width/grid dimension	85.6 mm
length	44.5 mm
modular spacing	31 mm
number of bridged clamps	3
mounting method	screwable
insulated	yes
model	cross connector
height	39.6 mm

### classification

ETIM 9.0	EC000489
----------	----------

### product compliance

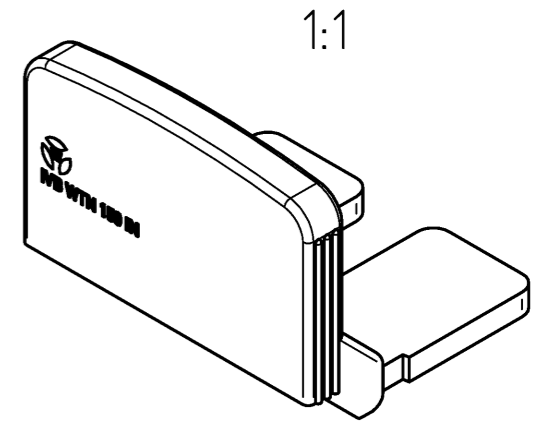
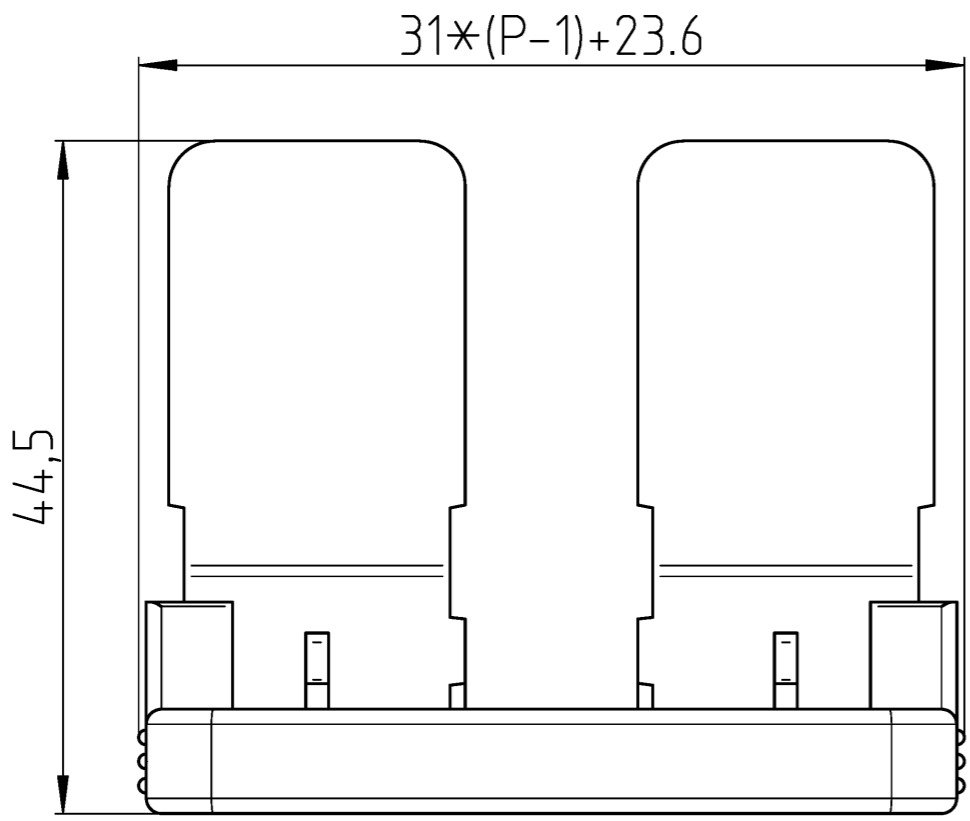
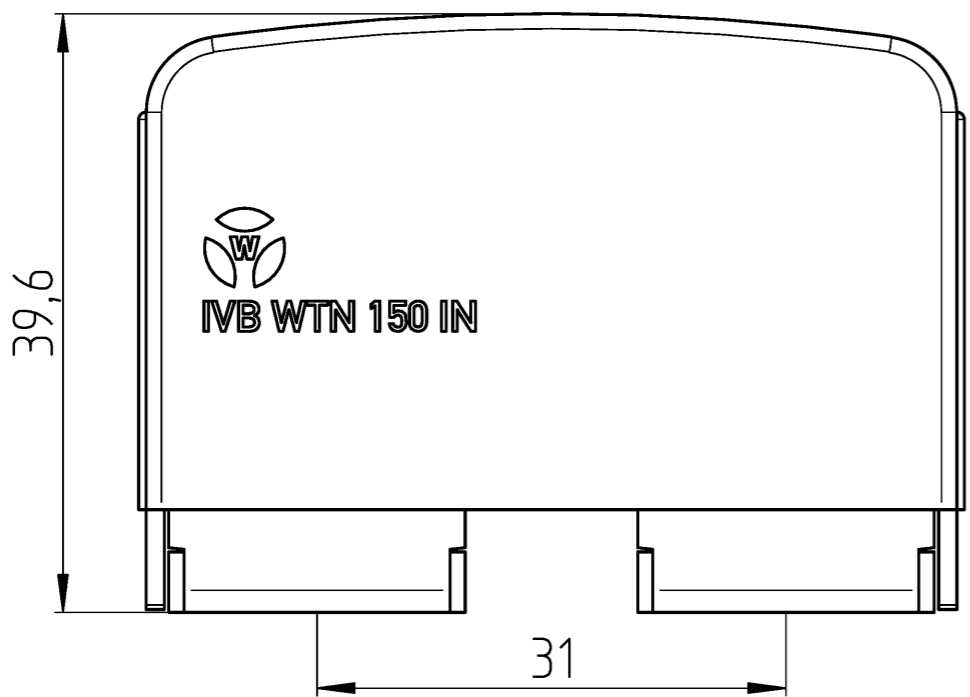
REACH-SVHC conformity status	compliant
------------------------------	-----------

A  
 © Alle Rechte vorbehalten  
 © All rights reserved  
 Vertraulich  
 Confidentiality Class.

B  
 These dimensions will be especially checked at delivery  
 Only inspection dimensions  
 With /E marked dimensions are only valid for internal use

C  
 Diese Maße werden bei Abnahme besonders geprüft  
 Ausschließlich Prüfmaße  
 Mit /E gekennzeichnete Maße sind nur für interne Zwecke gültig

F



Weitere Daten siehe KATALOG oder eKatalog  
 additional data see CATALOG or eCATALOG  
[www.wieland-electric.com](http://www.wieland-electric.com)  
[eshop.wieland-electric.com](http://eshop.wieland-electric.com)

Tolerierung Size ISO 14405 © / Tolerance system Size ISO 14405 ©. (This ISO-standard describes the envelope principle. According to the envelope principle the deviations of form and parallelism are limited by the size tolerances).		ja/yes <input checked="" type="checkbox"/> Stoffverbots- und Deklarationsliste nach WN 5020.010 ist einzuhalten. Conformity with Wieland document WN 5020.010 e (list of prohibited / declarable hazardous substances) to be declared!	
Freitoleranz nach General tolerance		CAD - Zeichnung, keine manuellen Änderungen CAD - drawing, no manual modifications allowed	
1. Verwendung: First Use:		Blatt: 1 von 1 Sheet: 1 of 1	
Werkstoff / Material		Tag/Date	Name
Maßstab / Scale		gezeichnet drawn	Eichhorn N.
2:1		Elektronische Freigabe Electronic Release	
Vol. mm <sup>3</sup> / Ofl./Srf. mm <sup>2</sup>		Zeichnung Nr. / Drawing No.	
Ersatz für / Replacement for:		T 0D.S51.3227.0 13K	
Type		Benennung/Title	
wieland		EINLEGEBRUECKE connection plug	
Index	Datum / Blatt Date / Sheet		
Änderung / Revision			

Bestell-Nr. /order no.	Polzahl P /number of poles P	Typ /type	Farbe /colour	VPE: packaging unit:
0D.S51.3227.0	2	IVB WTN 150-2 IN	grau / grey	50
0D.S51.3327.0	3	IVB WTN 150-3 IN	grau / grey	